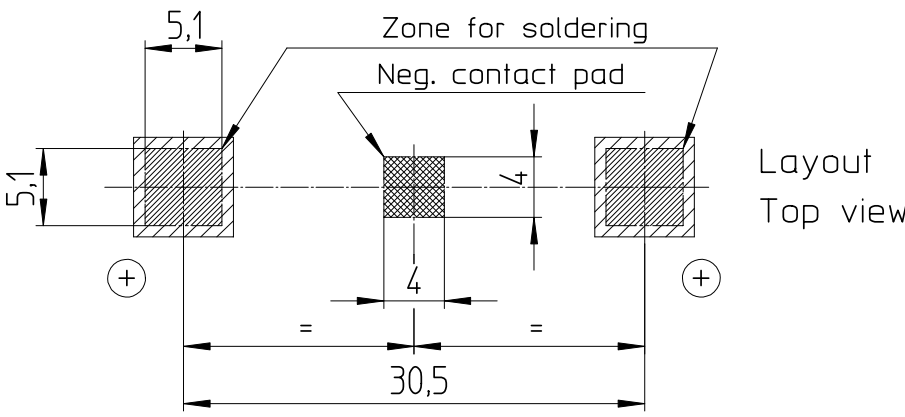
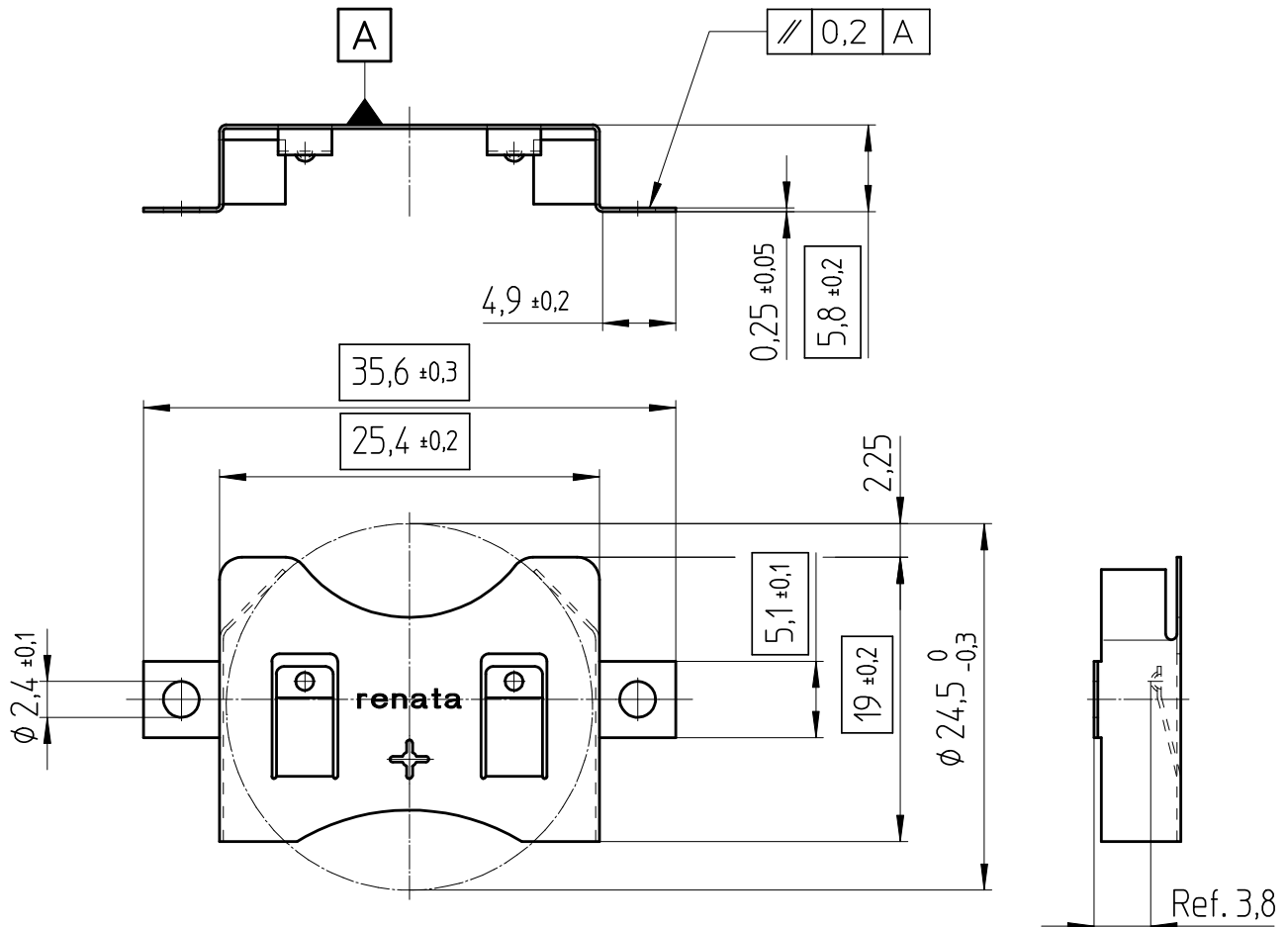


Art.-Number: 100360



- Samples can deviate in the execution from the serie.

Holder material : C5210 (JIS) or CuSn8 (DIN)  
all round ni-plating include edges

All framed values will be used for dimension checking !

- Dimensions and tolerances can be specified only after the testing of the devices for the mass production definitely

Rev.	<input type="radio"/>		Rev.	<input type="radio"/>			Customer's Approval		
Rev.	<input type="radio"/>		Rev.	<input type="radio"/>			Date		
Rev.	<input type="radio"/>		Rev.	<input type="radio"/>			Signature		
Titel:						Scale 2:1	Drawn	30.05.08	SRi
SMTM2450N							Checked	06.06.08	DLo
							Approved		
						CH-4452 Itingen Switzerland		3.9218.4-	