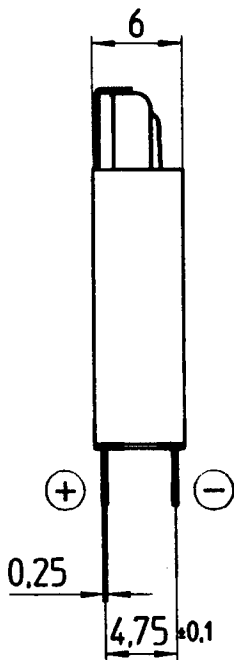
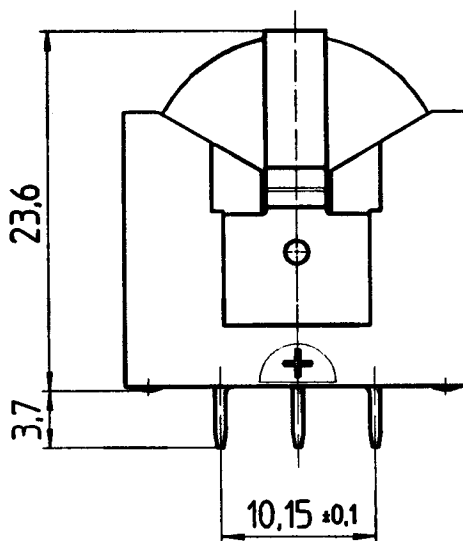


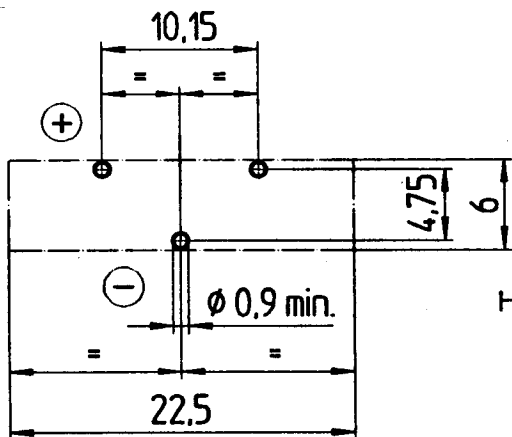
Front view from (-) pole side



Side view



Front view from (+) pole side



Layout top view

Holder material : flame retardant Polyamide
UL flammability class 94V-0

Battery contacts: spring stainless steel,
throughout nickel plated,
thickness min. 5µm

Specifications are subject to change without notice for further improvement

Rev.	1	06.09.99	SRI	Rev.			
Rev.	2	28.10.99	SRI	Rev.			
Rev.				Rev.			

	Customer's Approval		
	Date		
	Signature		
Scale	Drawn	17.08.99	SRI
2:1	Checked	<i>27.10.99</i>	<i>[Signature]</i>
	Approved	1.11.99	<i>[Signature]</i>

Titel:
Battery Holder VBH2032-1



3.8424.4-2