



MODEL: EF651615
Lithium Thionyl Chloride
(Li-SOCl₂) Battery

ELECTRICAL CHARACTERISTICS

(typical values for cells stored for one year or less, at 25°C)

<p>■ Nominal capacity</p> <p>(at 0.5 mA, +25°C, 2.0V cut off. The capacity restored by the cell varies according to current drain, temperature and cut off voltage.)</p>	0.40 Ah
<p>■ Rated voltage</p>	3.6 V
<p>■ Maximum recommended continuous current</p> <p>(To get 50% of the nominal capacity at +25°C with 2.0V cut off. Higher currents possible. Consult OmniCel.)</p>	5 mA
<p>■ Maximum pulse current capability</p> <p>Rated 1 sec. pulse capability(to 3V)</p> <p>Pulse capability varies according to pulse characteristics (frequency and duration), temperature, cell history (storage conditions prior to usage) and the application's acceptable minimum voltage.</p>	20mA 10mA
<p>■ Storage (recommended)</p> <p>(for more severe condition consult OmniCel.)</p>	30°C max
<p>■ Operating temperature range</p> <p>(Operation at temperature different from ambient may lead to reduced capacity and lower voltage plateau readings.)</p>	-55°C / +85°C

KEY FEATURES

- ✓ High and stable operating voltage
- ✓ High minimum voltage during pulsing
- ✓ Low self discharge rate (less than 1% after 1 year of storage at +25°C)
- ✓ Stainless steel container
- ✓ Hermetic glass-to-metal sealing
- ✓ Non-flammable electrolyte
- ✓ Non restricted for transport
- ✓ Compliant with IEC 86-4 safety standard and EN 50020 intrinsic safety

Underwriters Laboratories (UL)
 Component Recognition
 (File Number MH28717)

MAIN APPLICATIONS

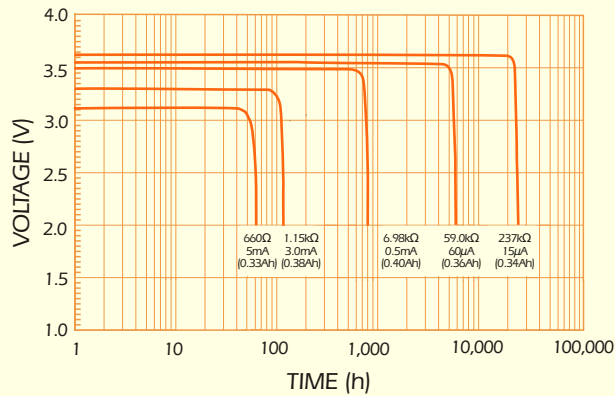
- ✓ Utility metering
- ✓ Alarms and security devices
- ✓ Memory back-up
- ✓ Tracking systems
- ✓ Automotive electronics
- ✓ Professional electronics ... etc.

WARNING:

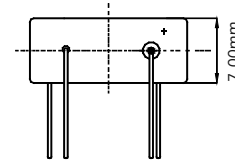
Fire, explosion and severe burn hazard. Do not recharge, crush, disassemble, heat above 212°F (100°C), incinerate, or expose contents to water.

Note: Any representations in this data sheet concerning performance are for informational purpose only and are not construed as warranties, either expressed or implied, of future performance.

DISCHARGE CHARACTERISTICS @ + 25°C



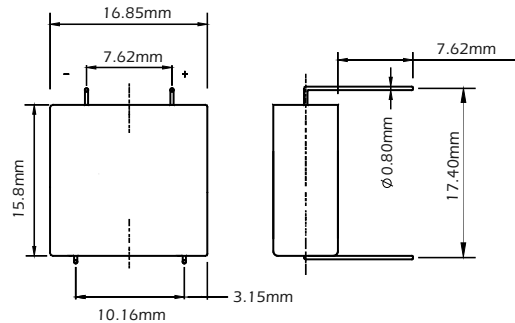
EF651615



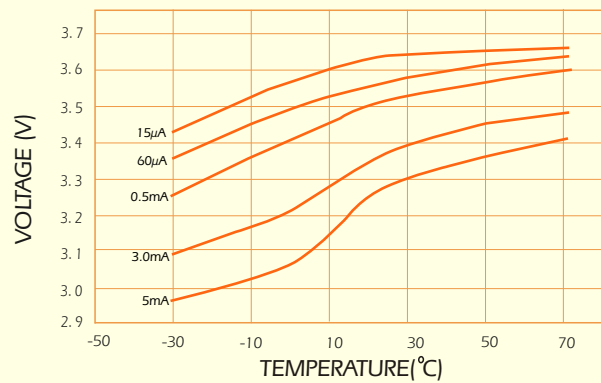
AVAILABLE TERMINATIONS

Suffix-/P

Tinned Nickel Pins



VOLTAGE VS. TEMPERATURE

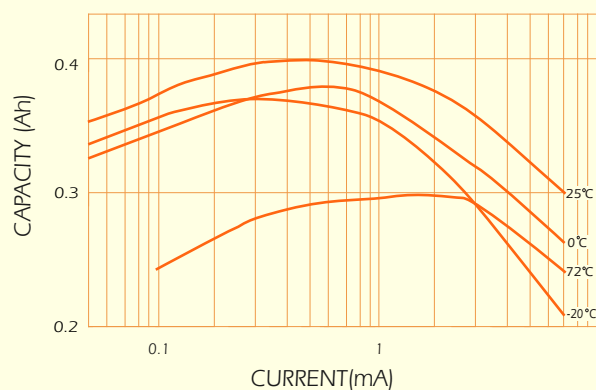


PHYSICAL CHARACTERISTICS

- Width (max) 16.85 mm (0.663")
- Length (max) 15.8 mm (0.622")
- Height (max) 7.0mm (0.276")
- Typical weight 5 g (0.176oz)

Latest version can be downloaded from the OmniCel website

CAPACITY VS. CURRENT



STORAGE CHARACTERISTICS

