



**MODEL ER14250/W**  
**Lithium Thionyl Chloride**  
**(Li-SOCl<sub>2</sub>) Battery**

(International size reference: 1/2AA, ER14250/W)

**ELECTRICAL CHARACTERISTICS**

(typical values for cells stored for one year or less, at 25°C)

■ **Nominal capacity** **1.20Ah**  
 (at 1.0 mA, +25°C, 2.0V cut off. The capacity restored by the cell varies according to current drain, temperature and cut off voltage.)

■ **Rated voltage** **3.6 V**

■ **Maximum recommended continuous current** **40 mA**  
 (to get 50% of the nominal capacity at +25°C with 2.0V cut off. Higher currents possible. Consult Omnicel.)

■ **Pulse capability:** varies according to pulse characteristics (frequency and duration), temperature, cell history (storage conditions prior to usage) and the application's acceptable minimum voltage.

■ **Maximum pulse current capability** **200 mA**  
**Rated 1 sec. pulse capability (to 3V)** **20 mA**

■ **Storage** (recommended) **30°C max**  
 (possible without leakage) **-55° / +120°C**

■ **Operating temperature range** **-55° / +85°C**  
 (Operation at temperature different from ambient may lead to reduced capacity and lower voltage plateau readings.)

**⚠ WARNING:**  
 Fire, explosion and severe burn hazard. Do not recharge, crush, disassemble, heat above 212°F (100°C), incinerate, or expose contents to water.

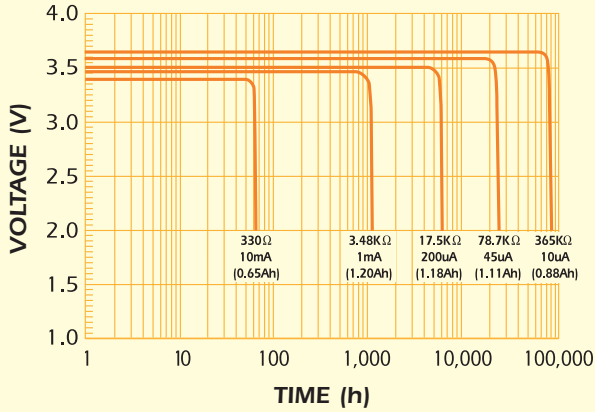
**KEY FEATURES**

- ✓ High and stable operating voltage
- ✓ High minimum voltage during pulsing
- ✓ Low self discharge rate (less than 1% after 1 year of storage at +25°C)
- ✓ Stainless steel container
- ✓ Hermetic glass-to-metal sealing
- ✓ Non-flammable electrolyte
- ✓ Compliant with IEC 86-4 safety standard and EN 50020 intrinsic safety
- ✓ Non restricted for transport
- ⚠ Underwriters Laboratories (UL) Component Recognition (File Number MH 28717)

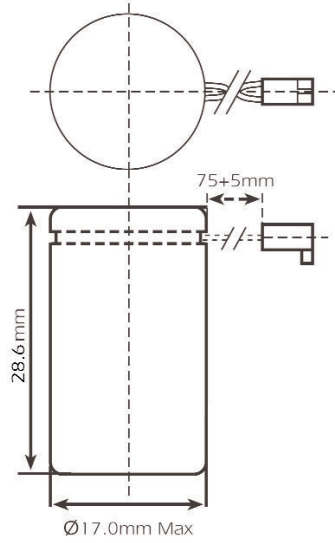
**MAIN APPLICATIONS**

- ✓ Utility metering
- ✓ Alarms and security devices
- ✓ Memory back-up
- ✓ Tracking systems
- ✓ Automotive electronics
- ✓ Professional electronics ... etc.

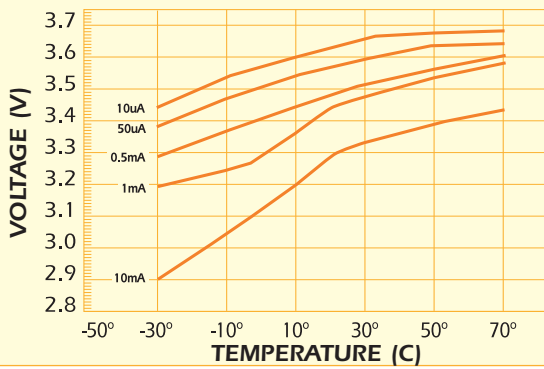
## DISCHARGE CHARACTERISTICS @ +25°C



## ER14250/W



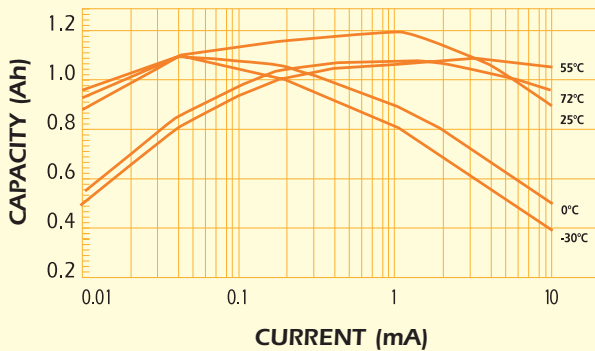
## VOLTAGE VS. TEMPERATURE



## PHYSICAL CHARACTERISTICS

- Diameter (max) 17.0 mm (0.571")
- Height (max) 28.6 mm (1.126")
- Weight 13 g (0.458oz)
- Wire Length 75±5mm (2.952+1.97")

## CAPACITY VS. CURRENT



## PULSE DISCHARGE CHARACTERISTICS

