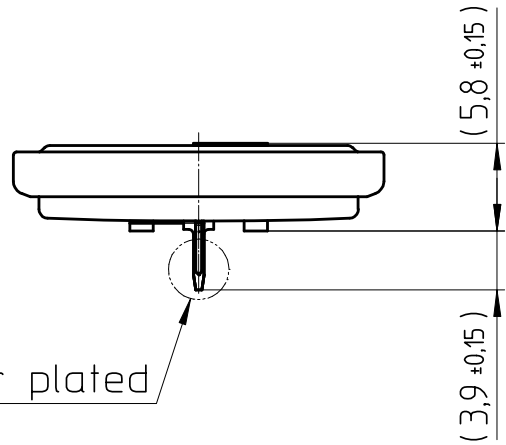
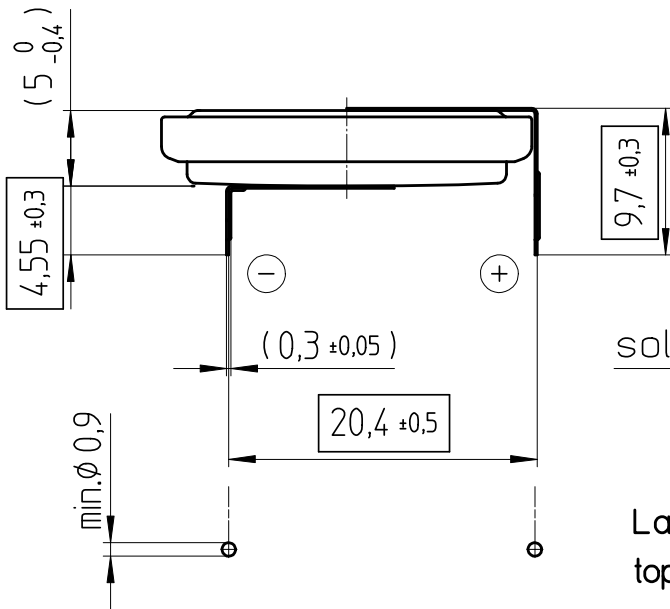
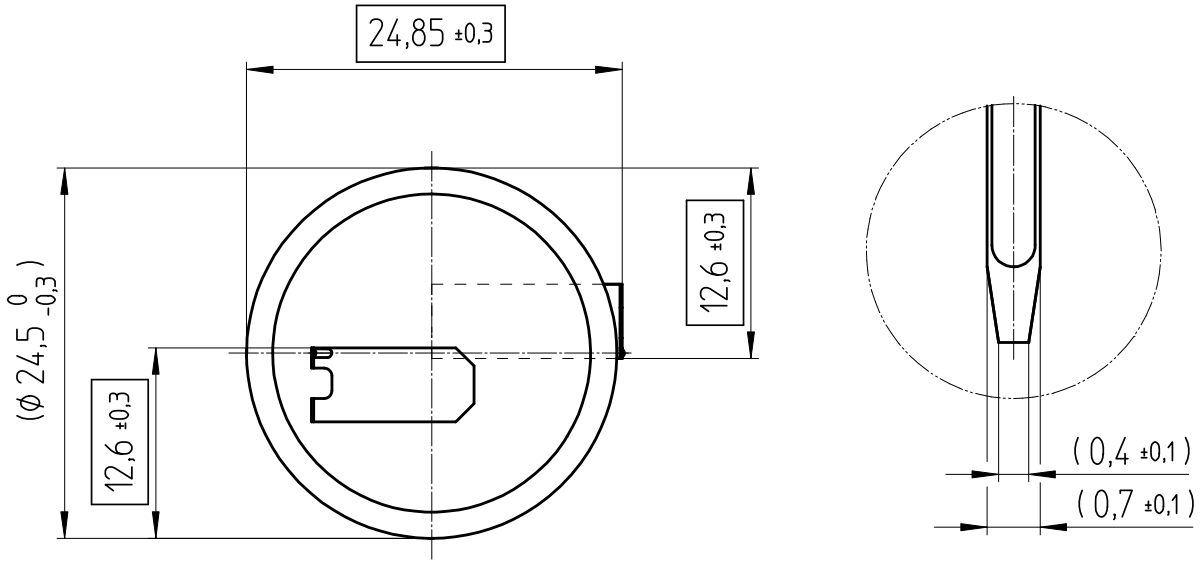


Art.-Number: 701400



Layout
top view

- Samples can deviate in the execution from the serie.

Tab material: Stainless steel

All framed values will be used for dimension checking !

- Dimensions and tolerances can be specified only after the testing of the devices for the mass production definitely

Rev.	<input type="radio"/>			Rev.	<input type="radio"/>			Customer's Approval		
Rev.	<input type="radio"/>			Rev.	<input type="radio"/>			Date		
Rev.	<input type="radio"/>			Rev.	<input type="radio"/>			Signature		
Titel:							Scale 2:1	Drawn	01.12.05	SRi
CR2450HTFH-LF								Checked	06.01.06	EWe
								Approved		
							CH-4452 Itingen Switzerland		3.8921.4-	