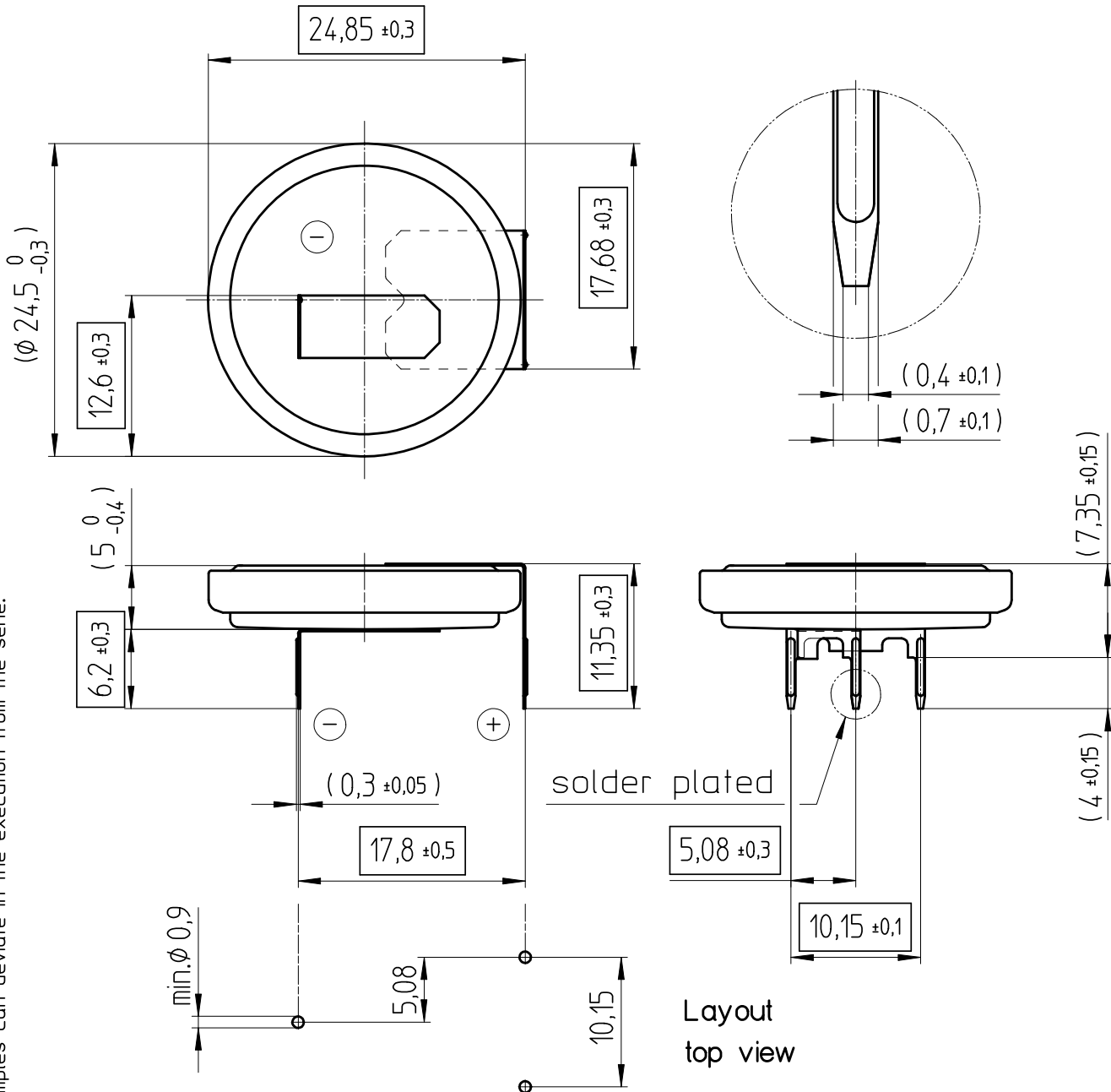


Art.-Number: 701401



All framed values will be used for dimension checking !

- Samples can deviate in the execution from the serie.

- Dimensions and tolerances can be specified only after the testing of the devices for the mass production definitely

Rev.	<input type="radio"/>			Rev.	<input type="radio"/>			Customer's Approval		
Rev.	<input type="radio"/>			Rev.	<input type="radio"/>			Date		
Rev.	<input type="radio"/>			Rev.	<input type="radio"/>			Signature		
Titel:							Scale	Drawn	05.07.05	SRi
CR2450HTRH-LF							2:1	Checked	06.01.06	EWe
								Approved		
							CH-4452 Itingen		3.8841.4-	
							Switzerland			