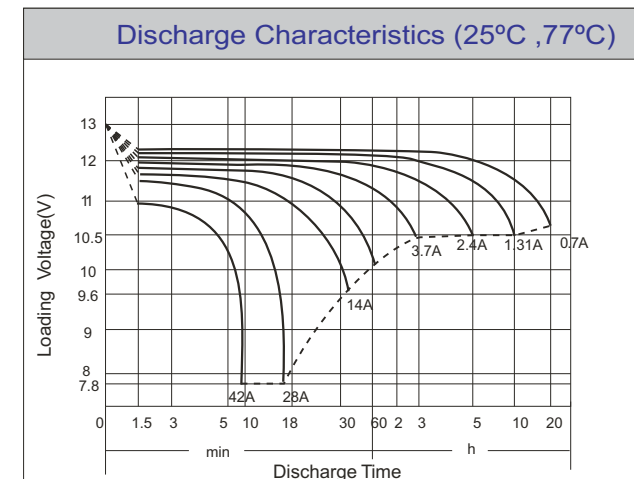
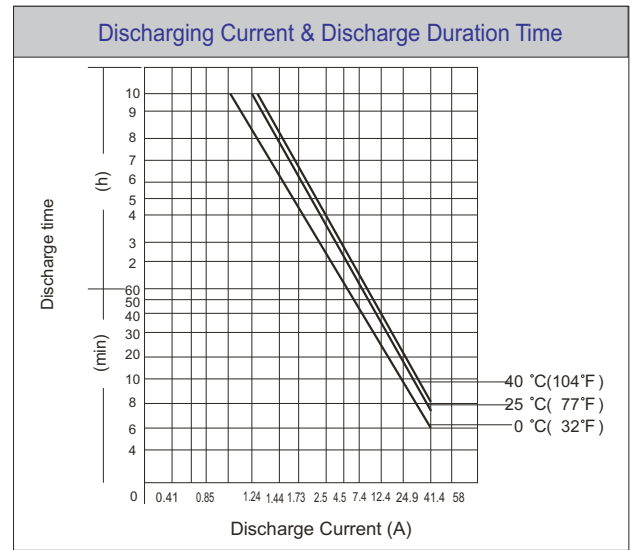
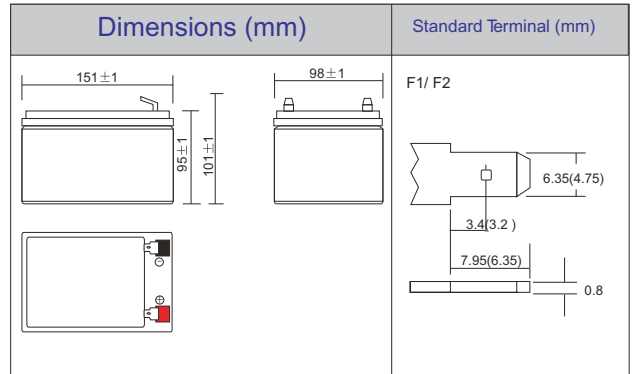




# PG12V14

## VRLA Sealed Long Life Battery



Physical Specification		
Nominal Voltage	12V	
Nominal Capacity (20HR)	14AH	
Dimension	Length	151±1mm (5.95 inches)
	Width	98±1mm (3.86 inches)
	Container Height	95±1mm (3.74 inches)
	Total Height (with Terminal)	101±1mm (3.98 inches)
Weight	Approx 4.20kg (9.26lbs)	
Standard Terminal	F1/F2 (standard)	

Electrical Specification					
Rated Capacity	20 hour rate (0.70 A)	14AH	Constant-Voltage Charge	Cycle	Initial Charging Current less than 3.6A. Voltage 14.4V~ 15.0V at 25°C (77°F) Temp. Coefficient -30mV/°C
	10 hour rate (1.3 A)	13AH			
	5 hour rate (2.41 A)	12.05AH			
	1 hour rate (8.45A)	8.45AH			
Capacity affected by Temperature	15minute rate (26A)	6.5AH	Standby	No limit on Initial Charging Current Voltage 13.5V~13.8V at 25°C(77°F) Temp. Coefficient - 20mV/°C	
	40°C (104°F)	103%			
	25°C ( 77°F)	100%			
	0°C ( 32°F)	86%			

Constant Current (Amp) and Constant Power (Watt) Discharge Table (25°C,77°F)												
Time(minute) Final voltage/Cell	5	10	15	20	30	45	60	120	180	300	600	1200
Amp/Watt/Cell	1.3	1.3	1.3	1.3	1.6	1.6	1.67	1.7	1.75	1.75	1.75	1.8
Amps	63.70	39.00	26.00	22.36	16.25	11.70	8.45	5.07	3.71	2.41	1.30	0.70
W/Cell	107.90	74.23	50.44	43.94	32.11	23.27	16.77	10.14	7.28	4.81	2.60	1.40