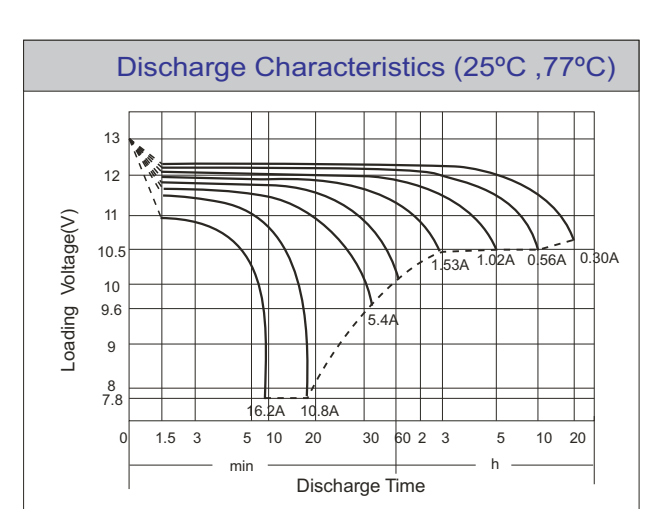
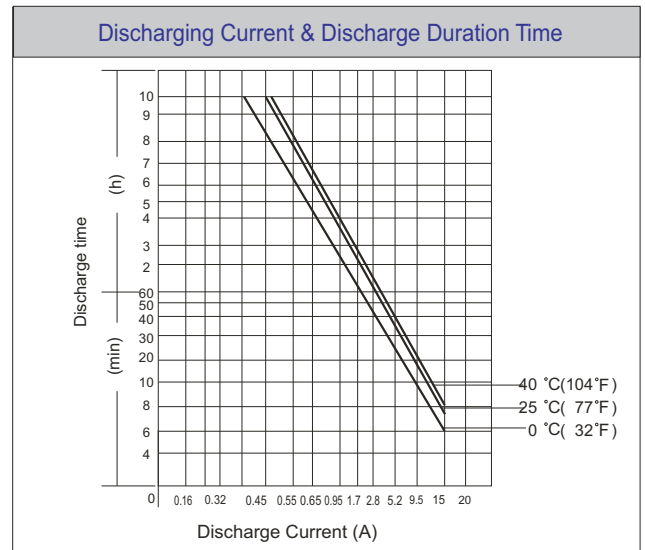
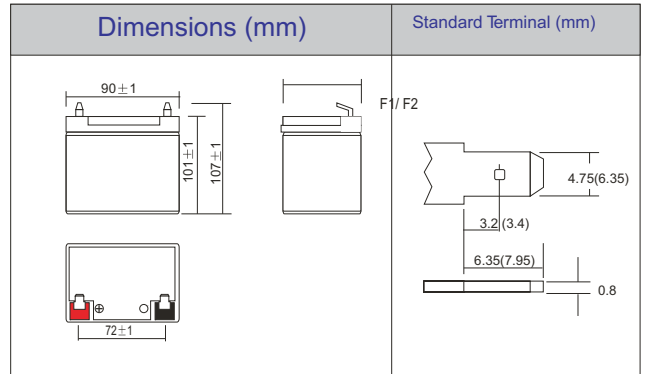




PG12V6

VRLA Sealed Long Life Battery



Physical Specification		
Nominal Voltage		12V
Nominal Capacity (20HR)		6.0AH
Dimension	Length	90±1mm (3.54 inches)
	Width	70±1mm (2.76 inches)
	Container Height	101±1mm (3.98 inches)
	Total Height (with Terminal)	107±1mm (4.21 inches)
Weight		Approx 1.9kg (4.19lbs)
Standard Terminal		F1/F2 (standard)

Electrical Specification					
Rated Capacity	20 hour rate (300mA)	6.0AH	Constant-Voltage	Cycle	Initial Charging Current less than 1.62A. Voltage 14.4V~ 15.0V at 25°C (77°F) Temp. Coefficient -30mV/°C
	10 hour rate (560mA)	5.6AH			
	5 hour rate (1.02A)	5.1AH			
	1 hour rate (3.72 A)	3.72AH			
	15minute rate (11.76 A)	2.94AH			
Capacity affected by Temperature	40°C (104°F)	103%	Charge	Standby	No limit on Initial Charging Current Voltage 13.5V~13.8V at 25°C(77°F) Temp. Coefficient - 20mV/°C
	25°C (77°F)	100%			
	0°C (32°F)	86%			

Constant Current (Amp) and Constant Power (Watt) Discharge Table (25°C,77°F)												
Time(minute) Final voltage/Cell	5	10	15	20	30	45	60	120	180	300	60	200
	1.3	1.3	1.3	1.3	1.6	1.6	1.67	1.7	1.75	1.75	1.75	1.8
Amp/Watt/Cell												
Amps	24.00	17.10	11.76	9.60	6.90	4.80	3.72	2.10	1.53	1.02	0.56	0.30
W/Cell	42.96	32.16	22.38	18.87	13.56	9.54	7.38	4.18	3.04	2.04	1.12	0.60