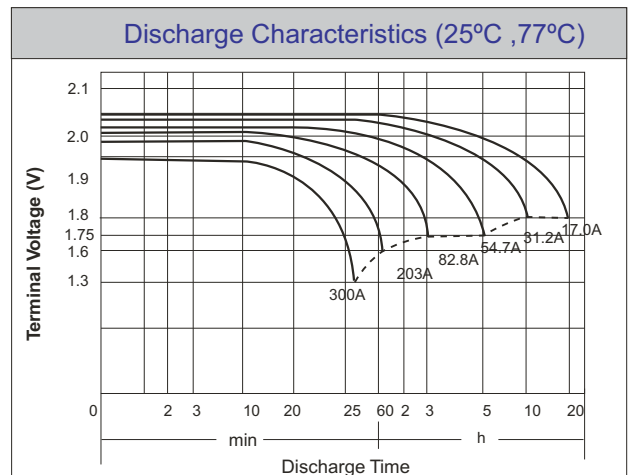
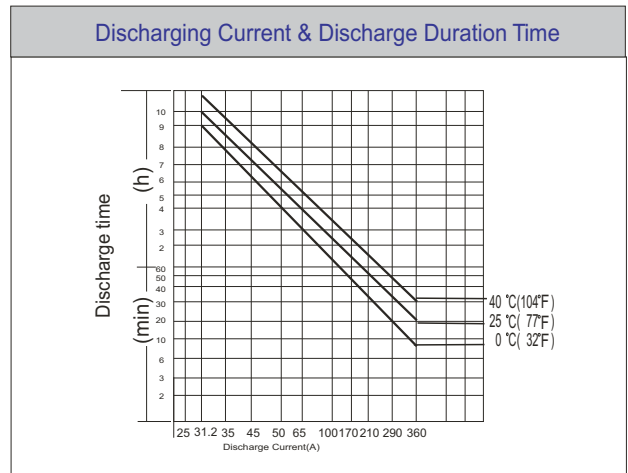
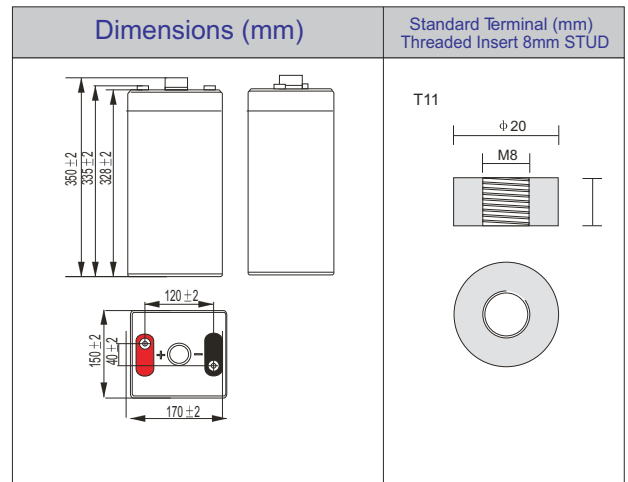




# PG2V340

## VRLA Sealed Long Life Battery



Physical Specification		
Nominal Voltage	2V	
Nominal Capacity (20HR)	340AH	
Dimension	Length	170±2mm (6.69 inches)
	Width	150±2mm (5.91 inches)
	Container Height	328±2mm (12.91 inches)
	Total Height (with Terminal)	350±2mm (13.78 inches)
Weight	Approx 19.3 kg (42.58lbs)	
Standard Terminal	T11 Threaded Insert 8mm STUD	

Electrical Specification					
Rated Capacity	20 hour rate (17.0A)	340.0 AH	Constant Voltage Charge	Cycle	Initial Charging Current less than 90A. Voltage 2.40V~2.50V at 25°C (77°F) Temp. Coefficient -5mV/C
	10 hour rate (31.2A)	312.0 AH			
	8 hour rate (37.5A)	300.0 AH			
	5 hour rate (54.7A)	273.5 AH			
	3 hour rate (82.8A)	248.4 AH			
	1 hour rate (203A)	203.0 AH			
Capacity affected by Temperature	40°C (104°F)	103%	Standby	No limit on Initial Charging Current Voltage 2.25V~2.30V at 25°C(77°F) Temp. Coefficient -3mV/°C	
	25°C (77°F)	100%			
	0°C (32°F)	86%			

Constant Current (Amp) and Constant Power (Watt) Discharge Table (25°C,77°F)											
Time(minute) Final voltage	30	45	60	120	180	240	300	360	480	600	1200
Amp/Watt/Cell	1.3	1.3	1.6	1.7	1.75	1.75	1.75	1.75	1.8	1.8	1.8
Amps	312.3	218.6	203.0	112.4	82.8	65.6	54.7	48.4	37.5	31.2	17.0
W/Cell	590.3	434.2	402.0	223.6	164.9	130.9	109.0	96.8	75.0	62.4	34.0