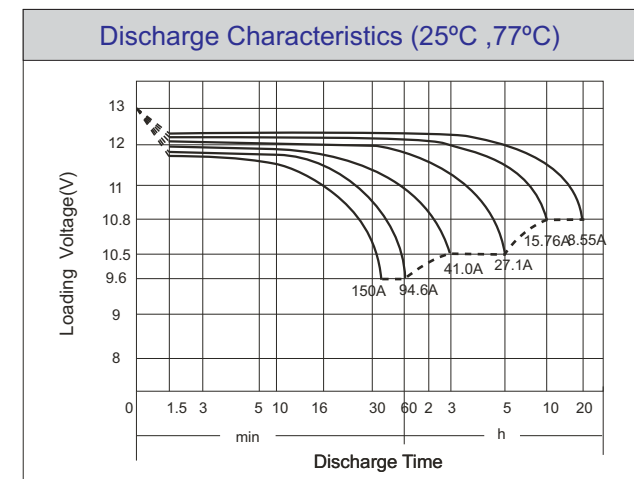
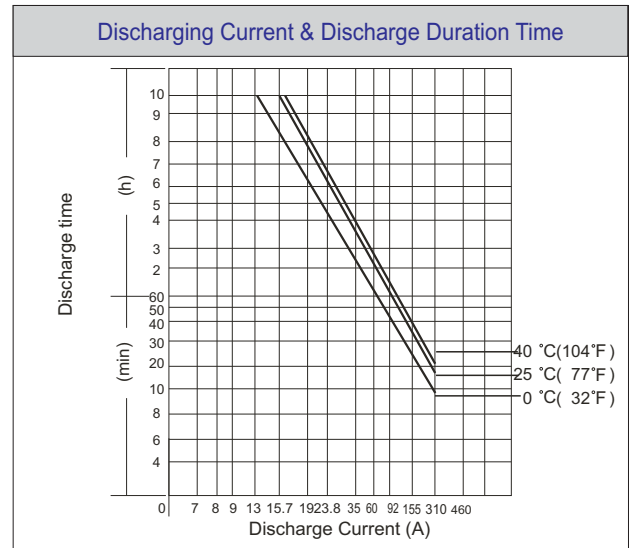
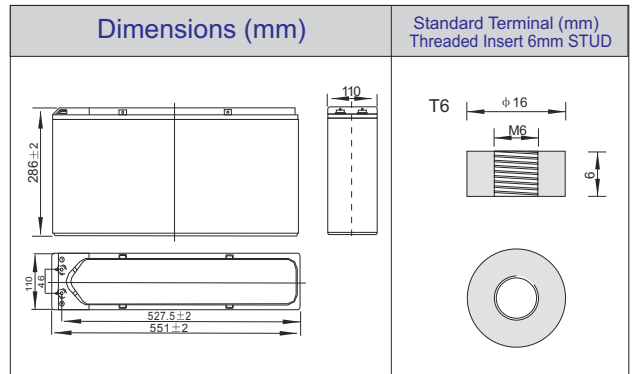




PGFT12V160

VRLA Sealed Long Life Battery



Physical Specification		
Nominal Voltage	12V	
Nominal Capacity (20HR)	170AH	
Dimension	Length	551 ± 2mm (21.69 inches)
	Width	110 ± 2mm (4.33 inches)
	Container Height	286 ± 2mm (11.26 inches)
	Total Height (with Cover)	286 ± 2mm (11.26 inches)
Weight	Approx 52kg (114.7lbs)	
Standard Terminal	T6 Threaded Insert 6mm STUD	

Electrical Specification					
Rated Capacity	20 hour rate (8.55A)	171.0AH	Constant Voltage Charge	Cycle	Initial Charging Current less than 45A. Voltage 14.4V~ 15.0V at 25°C (77°F) Temp. Coefficient -30mV/C
	10 hour rate (15.76A)	157.6AH			
	8 hour rate (18.75A)	150.0AH			
	5 hour rate (27.1A)	135.5AH			
	3 hour rate (41.0A)	123.0AH			
	1 hour rate (94.6A)	94.6AH			
Capacity affected by Temperature	40°C (104°F)	103%	Standby	No limit on Initial Charging Current Voltage 13.5V~13.8V at 25°C(77°F) Temp. Coefficient - 20mV/C	
	25°C (77°F)	100%			
	0°C (32°F)	86%			

Constant Current (Amp) and Constant Power (Watt) Discharge Table (25°C,77°F)														
Time(minute) Final voltage	10	15	20	30	45	60	120	180	240	300	360	480	600	1200
	1.3	1.3	1.3	1.6	1.6	1.67	1.7	1.75	1.75	1.75	1.75	1.8	1.8	1.8
Amp/Watt/Cell	394.1	299.5	236.4	181.3	126.1	94.6	55.2	41.0	31.5	27.1	24.0	18.75	15.76	8.55
W/Cell	740.8	567.4	463.4	342.0	250.6	187.3	109.7	82.0	62.9	54.2	47.9	37.50	31.52	17.10